

---

## Panel Mounting Digital Indicator

### Model : GL - 2L

**WISE**  
SENSOR

#### Advantages

- Accepts Current or Multi (Current RTD, Voltage, Thermocouple and mV / V) inputs.
- Analog output signals : 4~20mA, DC
- Display ranges : 4 digit -1999~9999
- Built-in transmitter power supply 24V DC
- Red LED display unit



GL-2L

#### Applications

a wide of range application for industrial and commercial application where the visual reading of the field instruments and monitoring

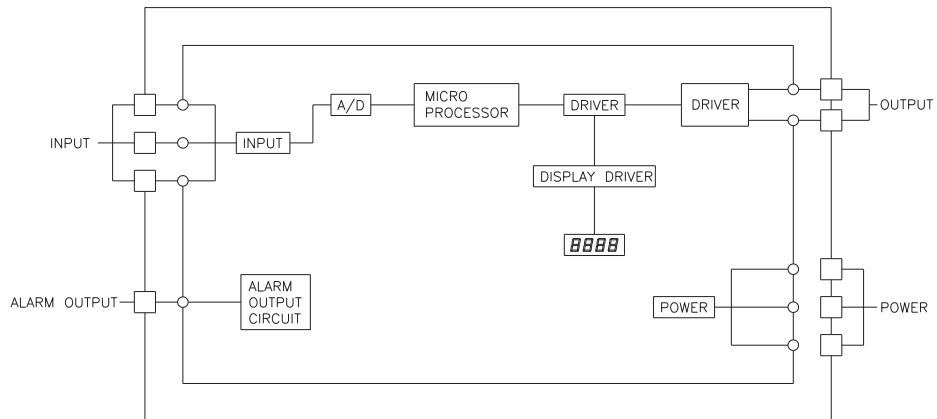
#### Descriptions

The GL-2L panel mounting digital indicator is designed to accept pressure or temperature transmitters and similar A wide range of application for industrial sensors providing current or voltage output signals. It is and commercial application where the an all new universal panel meter that handles all the visual reading of the field instruments common process display applications with simplicity, and monitoring reliability, accuracy and ease. The meter's universal power supply allows it to be powered 110 AC or 220 AC, and it can also be powered from 24V DC as an option.

## Specification

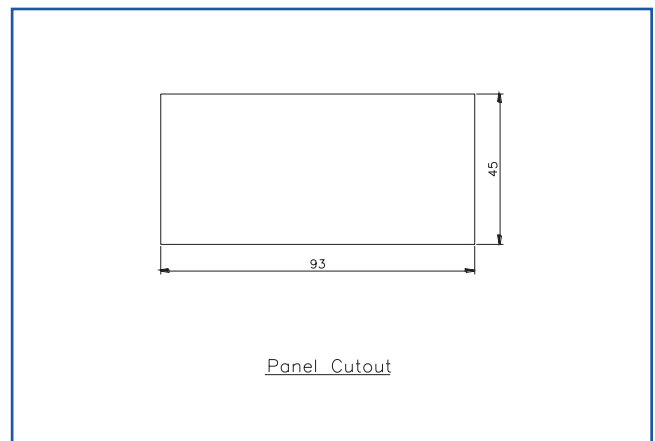
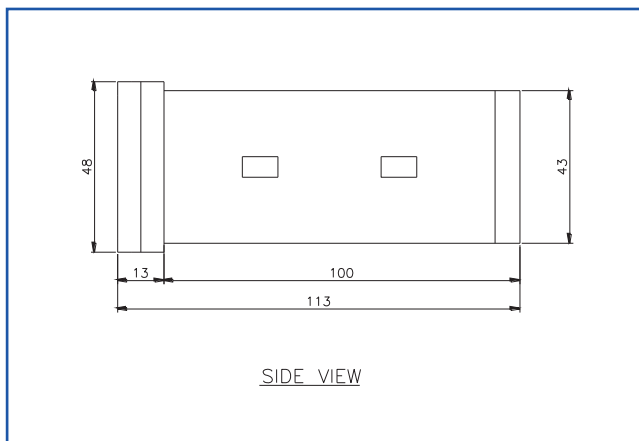
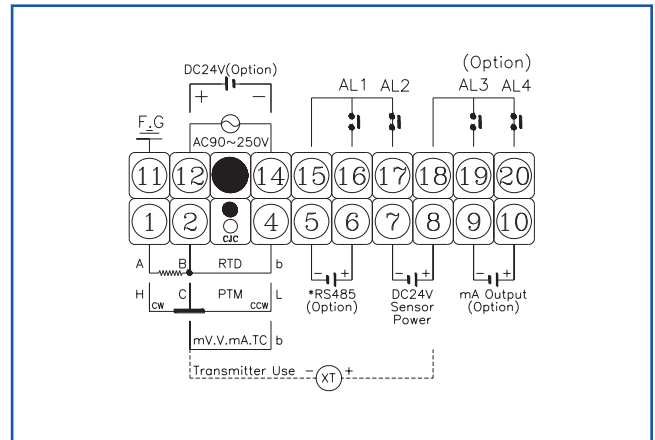
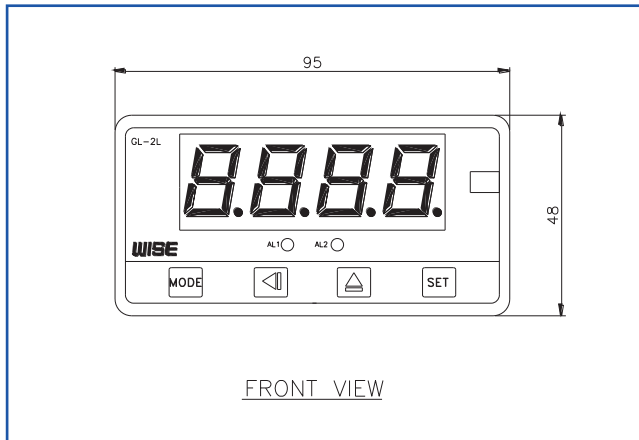
Input	
Thermocouple	Type K, J, E, T, R, B, C, S, N
RTD	PT100, JPT100
Current	4~20mA DC
Voltage	1~5V DC Unamplified mV/V or other input signals available on request
Output	
Alarm contacts	2 alarm contacts 4 alarm contacts optional
Current	4~20mA, DC optional Load resistance : 0~600Ω Impedance : greater than 5Ω
Display	Principle : 7-segment red FND Range : 4 digit -1999~9999 RS-485
Performance Specification	
Accuracy	± 0.2% full scale resolution
Scanning time	0.2 sec. For Current and Voltage input. 0.4 sec. For Thermocouple and RTD input.
Power supply	50 or 60Hz, 110 / 220V AC or 24V DC (Optional)
Voltage fluctuation	± 10%
Data backup	EEPROM
Ambient operating temperature	-10~60°C, 10~90% RH
Storage temperature range	-20~70°C, 5~95% RH
Temperature coefficient	0.02% / °C
Insulation resistance	100MΩ with 500V DC
Scaling adjustment	Menu driven, Zero & span fully adjustable -1999 to 9999
Physical Specification	
Wiring	Screw terminals : max. 2.5mm <sup>2</sup>
Dimension	48(H) x 96(W) x 113(D) mm
Panel cutout	93 x 45mm
Mounting	DIN 4896 panel cutout required, 2 panel mounting brackets & gasket provide
Weight	Approx. 500 Including all extras
Option	
	Analog output 4~20mA DC
	4 alarm contacts
	Other options available on request

## Circuit Diagram



## Dimension (mm)

## Electrical connection



## Ordering Information

### Panel Mounting Digital Indicator

#### 1. Base model

GL-2L										Digital indicator
-------	--	--	--	--	--	--	--	--	--	-------------------

#### 2. Input signal

M										Multi inputs
---	--	--	--	--	--	--	--	--	--	--------------

#### 3. Power supply

A										AC 110V~220V
D										DC 24V

#### 4. Alarm output

N										None
A										H / L (2 points)
B										HH / H / LL / L (4 points)

#### 5. Option

N										None
C										Retransmission output (4~20mA DC)
R										RS-485 Serial Communication
X										Other signal available on request

GL-2L	M	A	A	N						Sample ordering code
-------	---	---	---	---	--	--	--	--	--	----------------------

Specifications subject to change without notice

---

## Panel Mounting Digital Indicator

### Model : GL - 4L

---

**WISE**  
SENSOR

### Advantages

- No auxilliary power source
- 4 digit LED display
- Easily scale adjustable on site
- 4~20mA retransmission
- IP65 protection

### Specification

- Display 4 digit LED
- Electrical conetion Din connector (DIN 43560)
- Power DC 12 ~ 36V Loop power

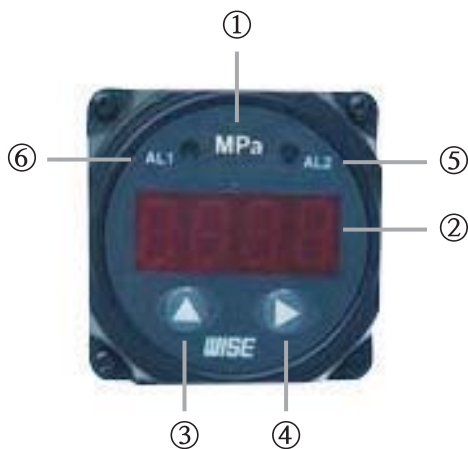


GL-4L

### Descriptions

The process indicators GL-4L series are configurable microprocessor devices, with analog 4~20mA input signal for measurements in industrial transmitter. Maximum display scale 9999 with programmable decimal point by two keys and seven-segment display. Loop interruption monitoring with visual indicator.

### Front panel description

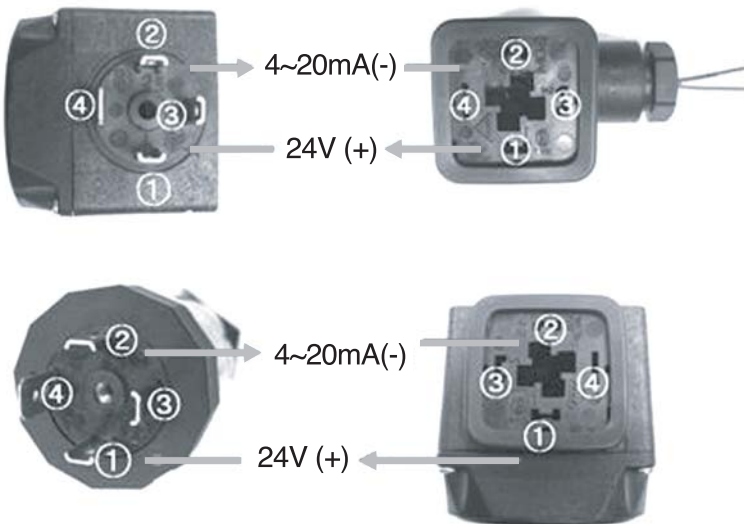
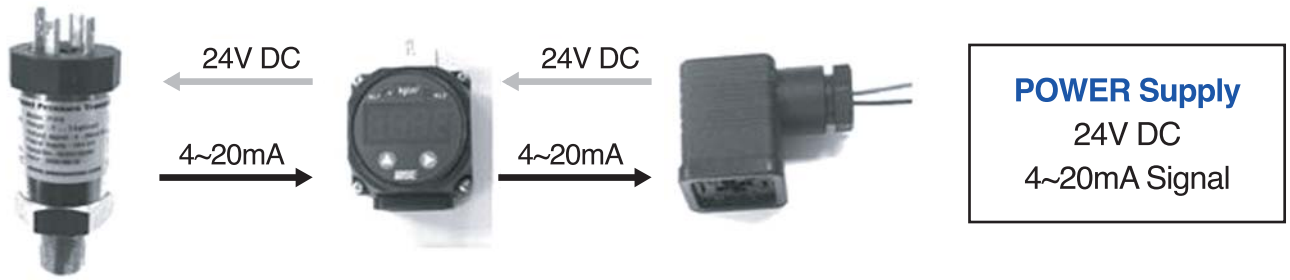


- ① Display Unit
- ② main Display
- ③ Key "UP"
- ④ Key "SHIFT"
- ⑤ Alarm 2 LED
- ⑥ Alarm 1 LED

## Specification

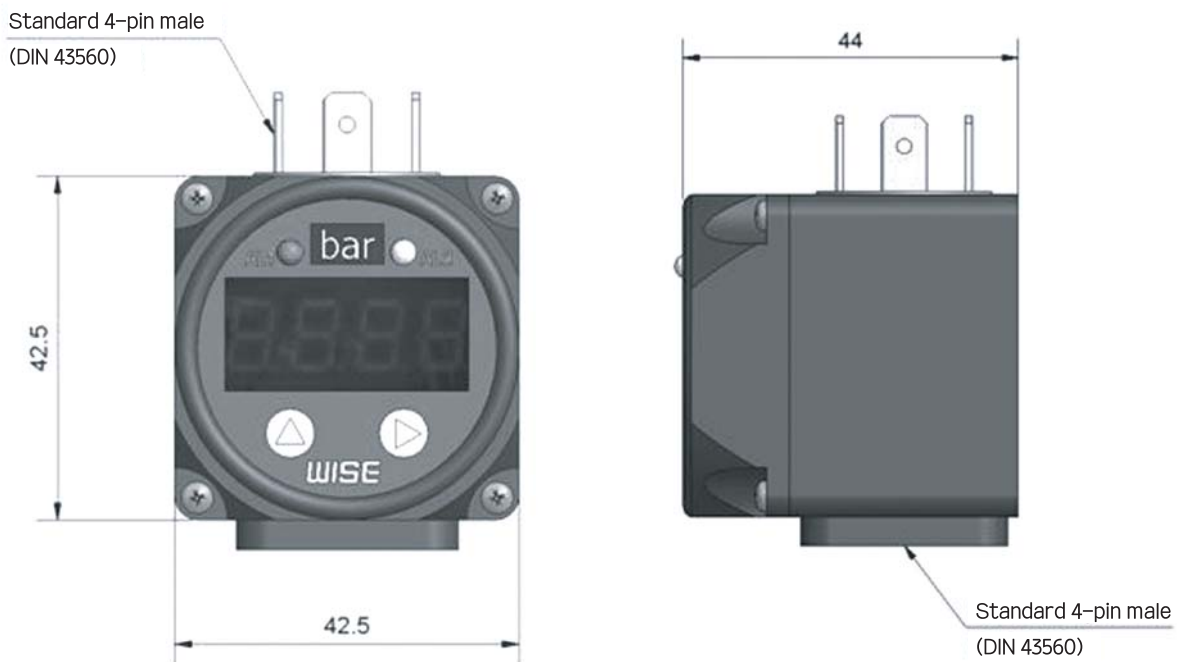
Input	
Supply voltage	DC 12~36 V, Loop Power
Current signal	4~20mA current signal
	2 - wire industrial transmitter (Ex. Pressure, Temperature, Level Transmitters)
Output	
Current	4~20mA
	Load resistance : 0~10 $\Omega$
Display	Principle : 7-segment red LED, 9mm high
	Range : 4 digit -9999~9999
Alarm LED Display	Alarm 1 : Green LED, Alarm 2 : Red LED, 3pi
Functional Specifications	
Damp time	0.00~9.99 seconds
Zero & Span Adjustment	Fully adjustable -9999 to 9999
Dot point setting	Available 4 point
Performance Specifications	
Accuracy	0.1%
Scanning time	10ms
Ambient operating temperature	-10~60C
Temperature coefficient	0.02% / C
Ambient operating humidity	10~90% RH
Physical Specification	
Wiring	2 - wired loop power
Dimension	42.5mm(W) X 42.5mm(H) X 44mm(D)
Connection	Standard 4-Pin DIN 43560
Enclosure rating	
Explosion protection	
Weight	75g (Only LED Display Indicator)
Options	
View angle	Available 0C, 90C

## Electrical connection



Pin Number	Description
①	Loop Power DC 24V(+) Alarm Common
②	Loop Signal 4~20mA(-)

## Dimension (mm)



## LED Display Digital Indicator for Loop Powered Transmitter

### Plug-in Local Indicator

GL-4L								LED Display Loop Indicator
	P1							Measuring unit
	P2							Kg / cm <sup>2</sup>
	P3							bar
	P4							psi
	P5							Kpa
	P6							torr
	P7							atm
	P8							mmHg
	PE							mmH <sub>2</sub> O
	TF							%
	TC							F
	XX							C
								Other available units available on request

GL-4L	P1	0	0	0	0	0	0	Sample ordering code
-------	----	---	---	---	---	---	---	----------------------

Specifications subject to change without notice